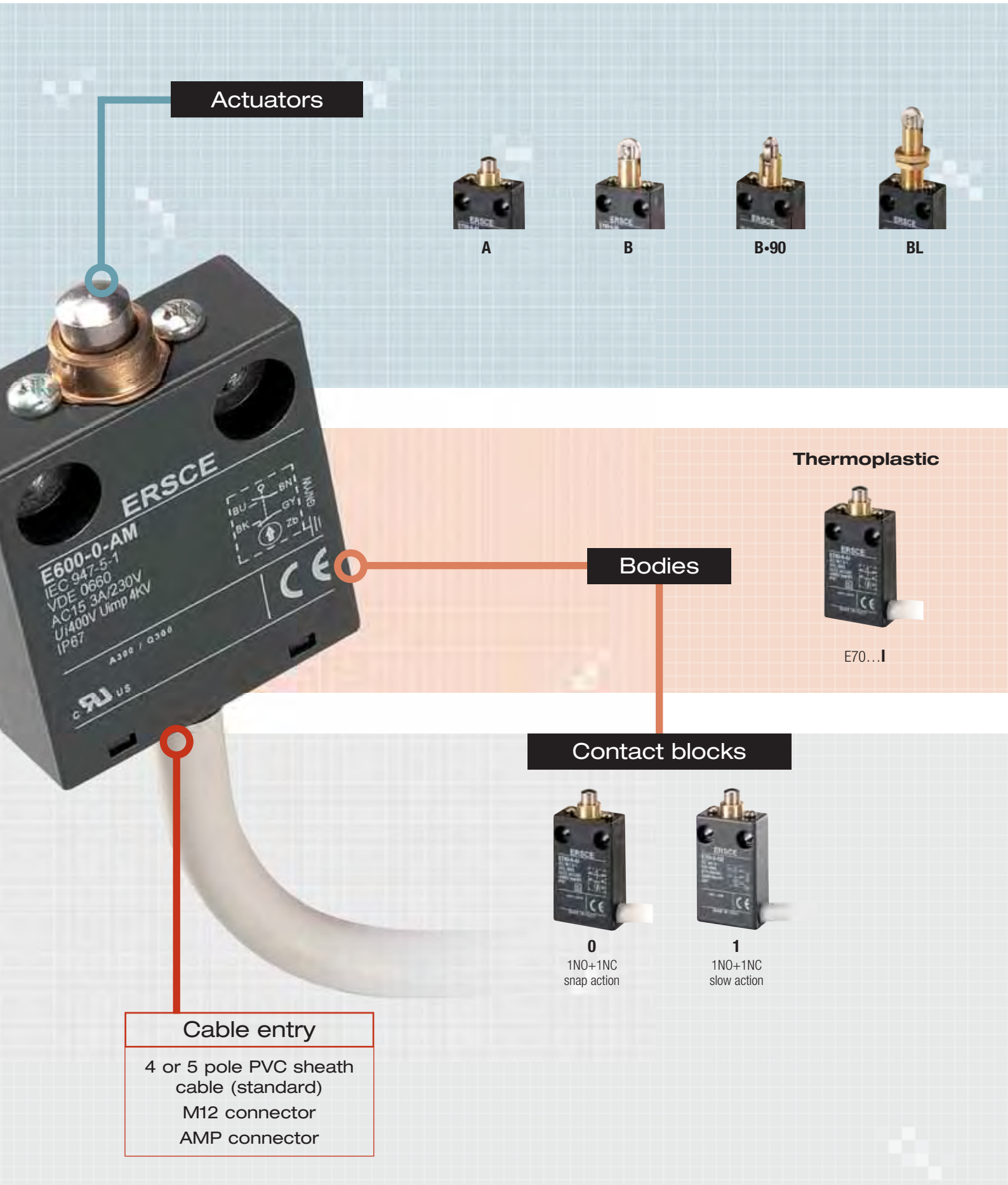




Pre wired limit  
switches





BL-90



E

**Metal**

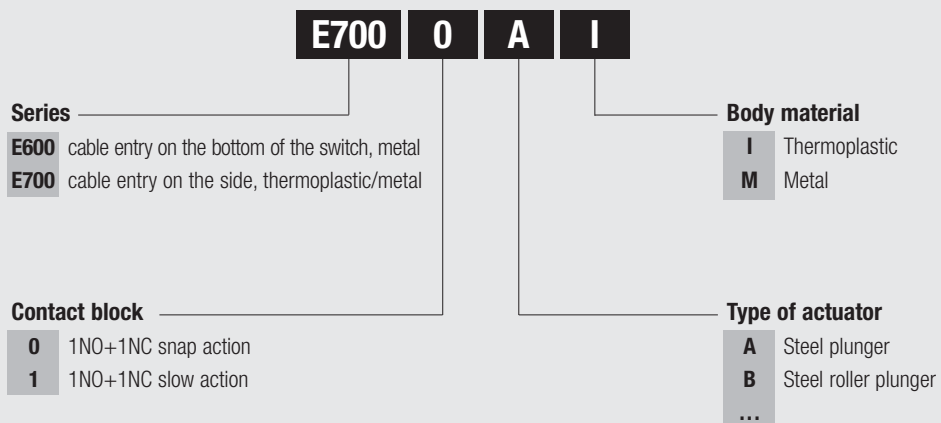


E70...M



E60...M

Part no. structure



Note: Please verify the effective availability of a product before ordering

**General characteristics**

The E700-E600 series pre-wired limit switches are suitable for use on machines where space is restricted and working environment is difficult. The product range includes the E600 and E700 series with thermoplastic or metal body.



- body material: thermoplastic/metal (E700) or metal (E600)
- IP67
- contact blocks with positive opening of the NC contact according to IEC EN 60947-5-1 e VD 0660-200

**Overturning levers**

All the levers can be fastened on switches on straight or reverse side, to obtain two different work plans of the lever.

## Technical information

Insulation resistance		500 V DC	mΩ	100
Dielectric strength		50/60 Hz per 1' *	V AC	2500
Rated insulation voltage	Ui	IEC947-5-1	V AC	500
Rated thermal current	I <sub>the</sub>	IEC947-5-1	A	10
Rated operating current		IEC947-5-1/EN60947-5-1		
Category AC15 A300	le	24 V	A	6
		125 V	A	5
		230 V	A	3
		400 V	A	1,8
Category DC13 Q300	le	24 V	A	3
		48 V	A	1,5
		120 V	A	0,55
		250 V	A	0,27
Contact resistance (without cable)	IEC255-7 cat.3	initial value	mΩ	25
Short circuit protective devices	IEC269 (IEC947-5-1)	gl or gG type fuse	A	6
Rated conditionals short circuit current	IEC947-5-1		A	1000
Pollution degree	IEC947-5-1			3
Protection degree	EN 60529			IP67
Protection against electric shock		plastic	class	II
		metal	class	I
Vibration resistance	IEC68-2-6		mm	0,35 ± 15% (10 ÷ 55 Hz ± 1 Hz)
Shock resistance	IEC68-2-27	11 ms	g	30
Mechanical life			cycles	10.000.000
Electrical life	a 250 V AC 3A with resistance load cosφ=1		cycles	500.000
		a 250 V AC 3A with inductive load cosφ=0,4	cycles	500.000
			cycles	500.000
Distance between contacts	snap action type		mm	2x2
	low action type		mm	2x1,25
Cable	model/section		mm <sup>2</sup>	V4 o 5F - 4 o 5x0,75 (19 AWG)
	colors			brown-blue(NO); black -grey(NC); yellow/green(GND)
	sheath color			Grey RAL 7035
	length **		m	2
	translation speed		m/mim	60
	operating voltage		V	300/500
Air ambient temperature	operational		°C	-35 ÷ +85 (without formation of ice)

\* between terminals of the same polarity; between terminals with different polarity; between live mechanical parts and ground;  
between live mechanical parts and non-current-carrying metal parts

## Approvals



IEC EN 60947

E600

•

+

E700

•

+

- UL approval file E72861

• Approved

+ Conforms to requirements



**E600 series**

- Metal body
- Cable entry on the bottom of the switch
- Cable with PVC sheath (other cable types or connectors are on request)
- Cable length 2 m (other lengths on request)



**E700 series**

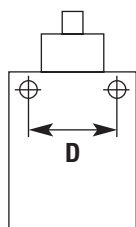
- Thermoplastic or metal body
- Cable entry on the side of the switch
- Cable with PVC sheath (other cable types or connectors are on request)
- Cable length 2 m (other lengths on request)

**In conformity with standards:**

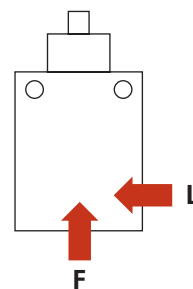
IEC EN 60947-5-1 • EN 60947-1 • UNI EN 1088 • EN ISO 12100-1  
EN ISO 12100-2 • IEC 529 • EN 60529 • VDE 0660-200 • VDE 0113



**Cable entry/connector**



Fixing	D
E600	25 mm
E700	20 mm



Thread	Series part no.	
PVC sheath cable according to CEI 20-22	E600...	E700...
M12 connector (on request)	E601...	E701...
AMP connector (on request)	E602...	E702...

	F	L
E600	•	
E700		•

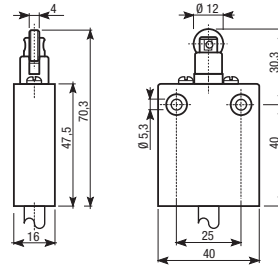


Steel roller plunger

Contact block	
1NO+1NC snap action 	<b>0</b>
1NO+1NC slow action 	<b>1</b>
Weight	kg
Pack	pcs
Cable length	m

Metal	Contact travel
E6000BM	
E6001BM	
0,361	
1	
2	

standard article     article on request



Drive cam operating parameters							
	$V_{max} \text{ (m/s)}$ 0,5						
	<table border="1"> <thead> <tr> <th><math>\varphi</math></th> <th><math>V_{max} \text{ (m/s)}</math></th> </tr> </thead> <tbody> <tr> <td>20°</td> <td>0,3</td> </tr> <tr> <td>30°</td> <td>0,1</td> </tr> </tbody> </table>	$\varphi$	$V_{max} \text{ (m/s)}$	20°	0,3	30°	0,1
$\varphi$	$V_{max} \text{ (m/s)}$						
20°	0,3						
30°	0,1						
	<table border="1"> <thead> <tr> <th>Min. force (N)</th> </tr> </thead> <tbody> <tr> <td>for tripping</td> <td>8</td> </tr> <tr> <td>for positive opening</td> <td>18</td> </tr> </tbody> </table>	Min. force (N)	for tripping	8	for positive opening	18	
Min. force (N)							
for tripping	8						
for positive opening	18						

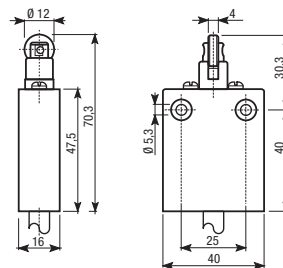


Steel roller plunger turned 90°

Contact block	
1NO+1NC snap action 	<b>0</b>
1NO+1NC slow action 	<b>1</b>
Weight	kg
Pack	pcs
Cable length	m

Metal	Contact travel
<b>E6000BM90</b>	
<b>E6001BM90</b>	
0,361	
1	
2	

standard article  article on request



Drive cam operating parameters							
	$V_{max}$ (m/s) <u>0,5</u>						
	<table border="1"> <thead> <tr> <th><math>\varphi</math></th> <th><math>V_{max}</math> (m/s)</th> </tr> </thead> <tbody> <tr> <td>20°</td> <td>0,3</td> </tr> <tr> <td>30°</td> <td>0,1</td> </tr> </tbody> </table>	$\varphi$	$V_{max}$ (m/s)	20°	0,3	30°	0,1
$\varphi$	$V_{max}$ (m/s)						
20°	0,3						
30°	0,1						
	<table border="1"> <thead> <tr> <th>Min. force (N)</th> </tr> </thead> <tbody> <tr> <td>for tripping</td> <td>8</td> </tr> <tr> <td>for positive opening</td> <td>18</td> </tr> </tbody> </table>	Min. force (N)	for tripping	8	for positive opening	18	
Min. force (N)							
for tripping	8						
for positive opening	18						



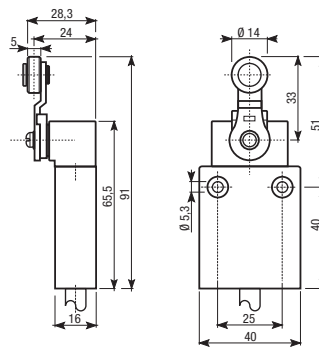


Thermoplastic roller lever

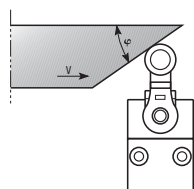
Contact block	
1NO+1NC snap action 	<b>0</b>
1NO+1NC slow action 	<b>1</b>
Weight	kg
Pack	pcs
Cable length	m

Metal	Contact travel
E6000EM	
E6001EM	
0,408	
1	
2	

standard article     article on request



Drive cam operating parameters



$\varphi$	V max (m/s)	Min. force (cNm)
30°	1,5	for tripping 4
45°	1	for positive opening 8
60°	0,75	
60-90°	0,25	